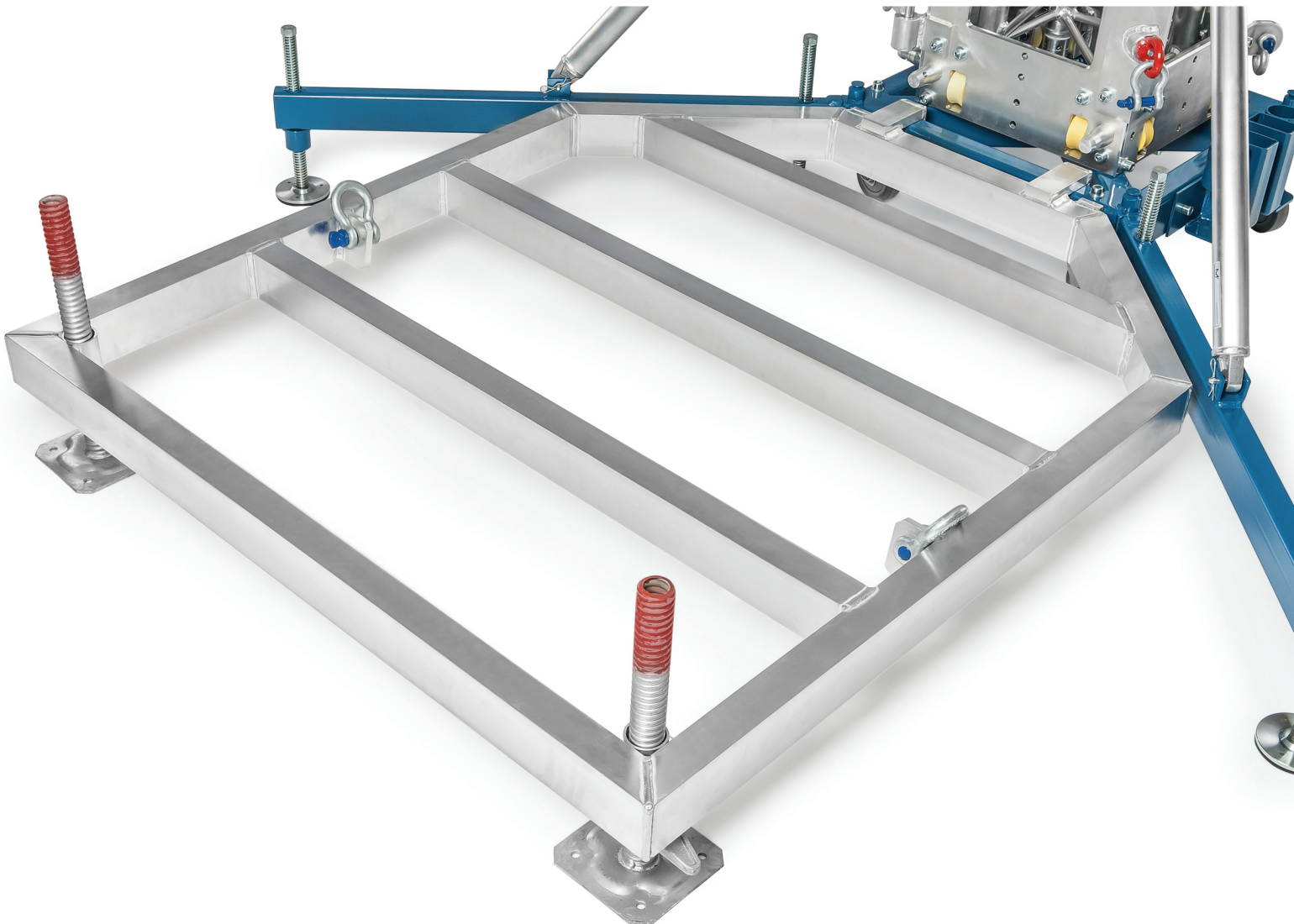


# Keeping your towers standing tall

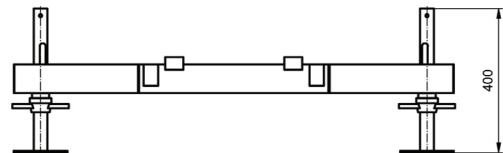
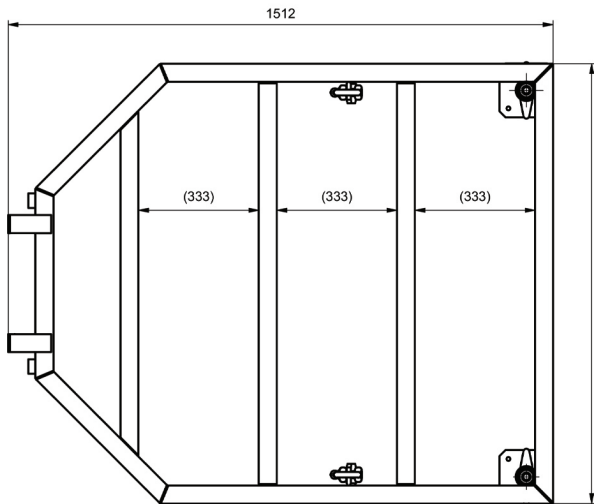
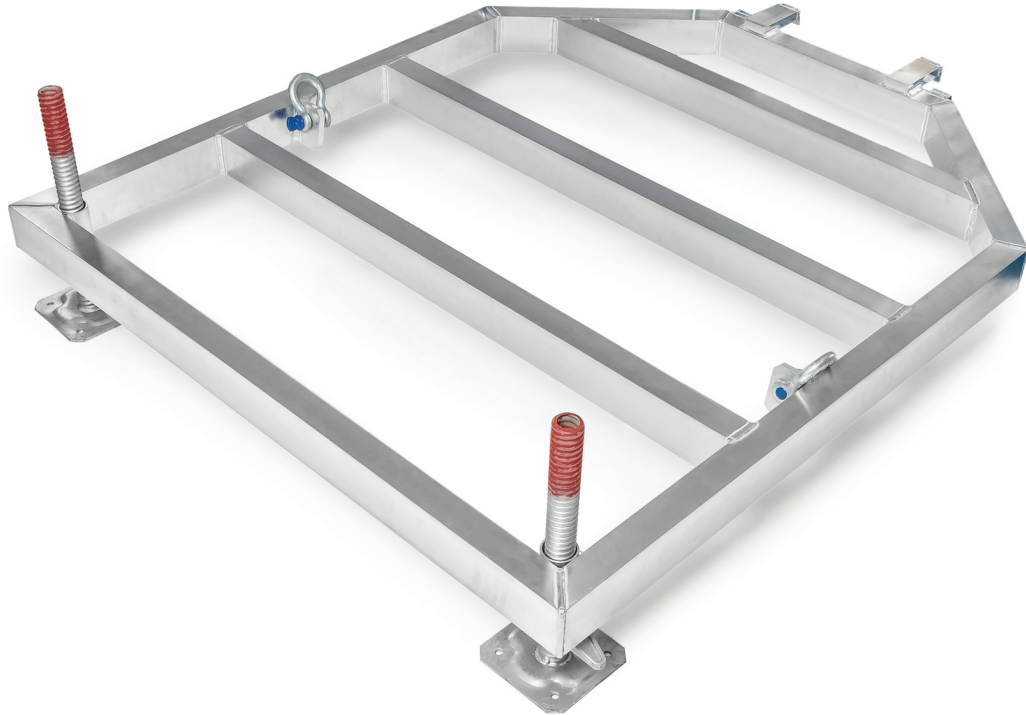
The MILOS MT1 Ballast Base keeps your towers standing safe and secure when they are not integrated into the stage structure. Designed for the optimum transfer of forces, the MT1 features integrated guy wire points and high strength, durable construction. Its unique design also allows it to stack perfectly flat and has smooth sides with no

protruding elements. It keeps your towers safe and your riggers happy.

- Strong and durable construction
- Integrated guy wire points
- Designed to stack flat with smooth sides



# MT1 BALLAST BASE



**Technical specification:**

<b>Product code:</b>	<b>MT1 01 Ballast Base</b>	
<b>Length:</b>	1512 mm	4.99'
<b>Width:</b>	1220 mm	4.00'
<b>Height:</b>	400 mm	1.31'
<b>Max. Load:</b>	2000 kg	4409 lbs
<b>Weight:</b>	29 kg	63.9 lbs
<b>Material:</b>	Aluminium Alloy EN-AW 6082 T6	